



- Standard SIP phone
- Aluminum alloy die-casting body
- Vandal resistant handset and armored cord
- Weather proof protection to IP67
- Full keypad with memory, 0-9 buttons can be programmed as speed dial button.
- “LR” button for last number redial
- “R” for flash recall
- “M” for muting
- Wall mounting, simple installation
- Inductive coupler fitted as standard for hard of hearing
- External power supply or PoE (SIP-VoIP)
- RJ45 port for SIP phone
- CE, FCC, ATEX, RoHS compliant

This Explosion Proof Telephone, fully contained within a corrosion and vandal resistant cast aluminium weatherproof case with a pivoted door, is designed for voice communication in the hostile environment where reliability, efficiency and safety are of prime importance. The telephone can handle the large temperature differences found outdoors, high humidity, exposure to sea water and dust, Corrosive atmosphere, Explosive gases & particles, as well as mechanical wear and tear, making it perfect for use as an emergency telephone.

The unique robust handset is manufactured from moulded Bulk Molding Compound and designed specifically to withstand arduous use in all environments, armoured cord to provide additional resistance to vandalism or heavy industrial use.

This Explosion proof Telephones are designed for use by the oil refining, power stations, military, chemical plants, the armed services and heavy industry which require very reliable telephony under adverse conditions.

SIP-VoIP TECHNICAL SPECIFICATIONS

Adapter Input:

100-240 V AC 50~60Hz Output:5V/1A

Port:

WAN:10/100Base- T RJ-45 for LAN, Auto MDIX

LAN:10/100Base- T RJ-45 for PC, Auto MDIX

Power Consumption:

Idle:1.5W/ Active:1.8W

Voice Features

- Support 2 lines SIP, SIP 2.0 (RFC3261)
- Codec: G.711A/u, G.7231 high/low, G.729, G.722, G.726
- Echo cancellation: Support G.168 and hand-free can support 96ms
- Supports full duplex.
- SIP support SIP domain,SIP authentication (none, basic, MD5), DNS name of server, peer to peer
- SIP support 2 servers, user can through each server to calling in and out

Network Features

- WAN/LAN: support Bridge mode
- Support PPPoE for xDSL
- Support VLAN
- Support Stun penetration
- Support DHCP get IP on WAN port

TECHNICAL SPECIFICATIONS

Casing Material

Die cast aluminium, epoxy powder coated.

Colors

Orange, other colors to special order

Handset Material

Cycloy with stainless steel spiral cord

Keypad

Rubber Keypad

Temperature

Operating: -40°C to +75°C

Storing: -45°C to +85°C

Weather Resistance

IP67

Ringing Tone

Shrill warble tone 80 dBA @ 1 metre typical

Hook switch

Electronic / magnetic with no visible moving parts

M.T.B.F.

Calculated to have an M.T.B.F. in excess of 50,000 hours using

Weight

Up to 5 kg depending on option

EXPLOSION PROTECTION

- II 2G Ex e ib [ib] mb IIC T4 Gb
- III 2D Ex ib [ib] tb IIIC T135 °
- Certificated for use in Hazardous areas of Gas Group IIB/IIA
- Zone classification: Zone 1, Zone 2 and Zone 22
- Ex 'd' protected
- Intrinsically safe Ex"ib" certified
- Temperature classification: T4

PACKAGE

Unit size: 204 *334 *126 (mm)

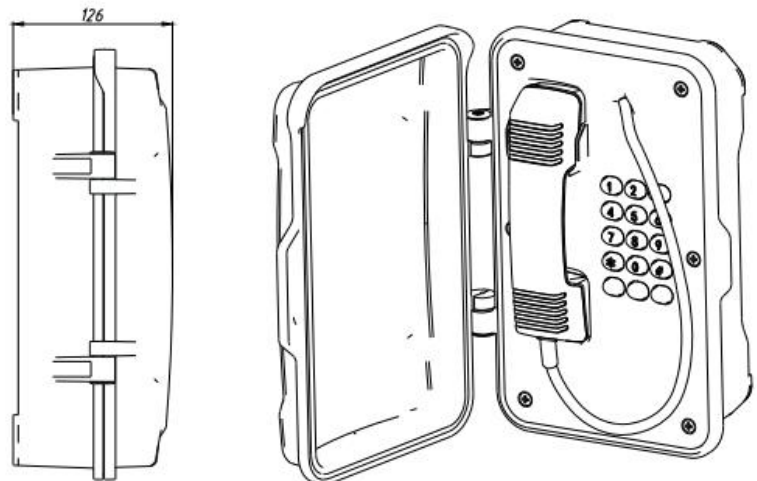
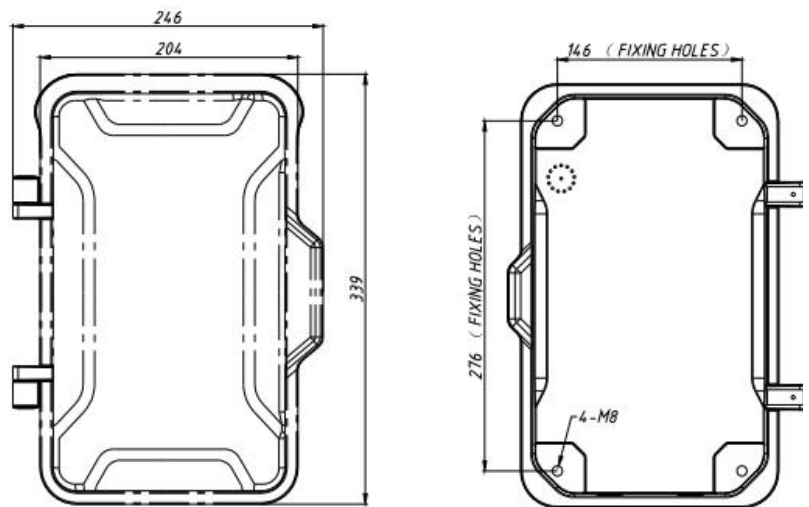
Carton size: 200 *300 *440 (mm)

Packaging materials: pearl cotton, carton

Gross weight: 8 KG

Net weight: 7 KG

DIMENSIONS:



(Measured in mm)

APPROVALS



This mark indicates compliance with the:
Radio & Telecommunications Terminal Equipment Directive
2004/108/EC



This mark indicates compliance with the:
FCC Part 15 Subpart B Class B



This mark indicates compliance with the:
II 2G Ex e ib [ib] mb IIC T4 Gb