



- Aluminum alloy die-casting body
- Vandal resistant handset and armored cord
- Weather proof protection to IP66-IP67
- Programmable for auto-dial
- Wall/ Pillar mounting, Simple installation
- Inductive coupler fitted as standard for hard of hearing
- Phone line powered (Analogue)
- External power supply or PoE (SIP-VoIP)
- RJ45 port for SIP phone
- II 2G Ex e ib [ib] mb IIC T4 Gb
- III 2D Ex ib [ib] tb IIIC T135 °
- Zone 1& Zone 2
- ATEX, CE, FCC, RoHS compliant
-

This Explosion Proof Telephone, fully contained within a corrosion and vandal resistant cast aluminium weatherproof case with a pivoted door, is designed for voice communication in the hostile environment where reliability, efficiency and safety are of prime importance. The telephone can handle the large temperature differences found outdoors, high humidity, exposure to sea water and dust, Corrosive atmosphere, Explosive gases & particles, as well as mechanical wear and tear, making it perfect for use as an emergency telephone.

The unique robust handset is manufactured from moulded Bulk Molding Compound and designed specifically to withstand arduous use in all environments, armoured cord to provide additional resistance to vandalism or heavy industrial use.

This Explosion proof Telephones are designed for use by the oil refining, power stations, military, chemical plants, the armed services and heavy industry which require very reliable telephony under adverse conditions.

SIP-VoIP TECHNICAL SPECIFICATIONS

Power Input:

12-24V DC

Port:

WAN: 10/100Base-T RJ-45 for LAN, Auto MDIX

LAN: 10/100Base-T RJ-45 for PC, Auto MDIX

Power Consumption:

Idle:1.5W/ Active:1.8W

Voice Features

- Support SIP 2.0 (RFC3261)
- Codec: G.711A/u, G.7231 high/low, G.729, G.722
- Echo cancellation: Support G.168 and hand-free can support 96ms
- Supports full duplex
- SIP support SIP domain, SIP authentication(none, basic,MD5),DNS name of server
- DTMF:SIP info, DTMF Relay, RFC2833
- Call control features: Flexible dial map, support hot-line

Network Features

- WAN/LAN: support Bridge mode
- Support static IP address
- Support DHCP get IP on WAN port
- Support VLAN
- Support web config

STANDARD ANALOGUE

As a standard analogue telephone, this unit provides basic telephone functions and can be connected to any standard two-wire telephone line, including analogue PABX lines and PSTN.

ANALOGUE

Dialing

MF (tone)

Power supply

Drawn from telephone line

Lightning / Transients

Protection to ITU-T k.21 enhanced levels

Programming

Can be programmed remotely by DTMF tone or use keypad

EXPLOSION PROTECTION

- II 2G Ex e ib [ib] mb IIC T4 Gb
- III 2D Ex ib [ib] tb IIC T135 °
- Certificated for use in Hazardous areas of Gas Group IIB/IIA
- Zone classification: Zone 1, Zone 2 and Zone 22
- Ex 'd' protected
- Intrinsically safe Ex"ib" certified
- Temperature classification: T4

TECHNICAL SPECIFICATIONS

Casing Material

Die cast aluminium, epoxy powder coated.

Colors

Orange, other colors to special order

Handset Material

Cycloy with stainless steel spiral cord

Keypad

No Keypad

Temperature

Operating: -40°C to +70°C

Storing: -45°C to +80°C

Weather Resistance

IP66-IP67

Ring Tone

Shrill warble tone 85 dBA @ 1 metre typical

Hook switch

Electronic / magnetic with no visible moving parts

M.T.B.F.

Calculated to have an M.T.B.F. in excess of 50,000 hours using

Weight

Up to 8 kg depending on option

OPTIONAL

- Add Horn & Lamp on the top
- Key lockable latch
- Upper & lower internal mounting plates
- Flat label area or custom embossed logo on door
- Vandal resistant screws for upper mounting plate

PACKAGE

Unit size: 246 *339 *126 (mm)

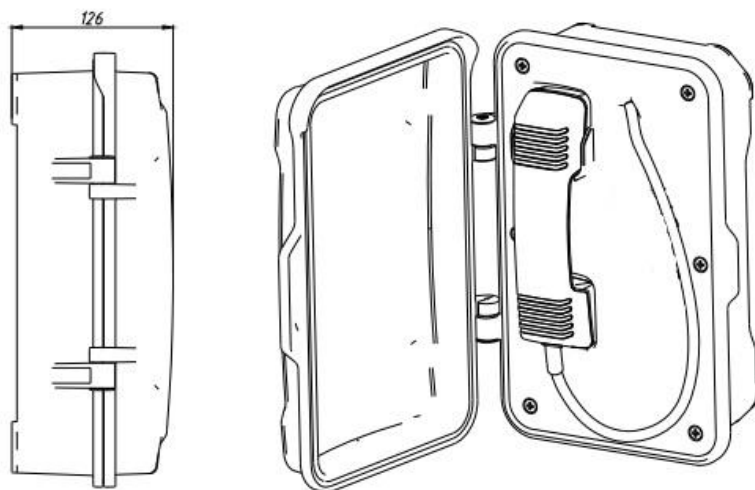
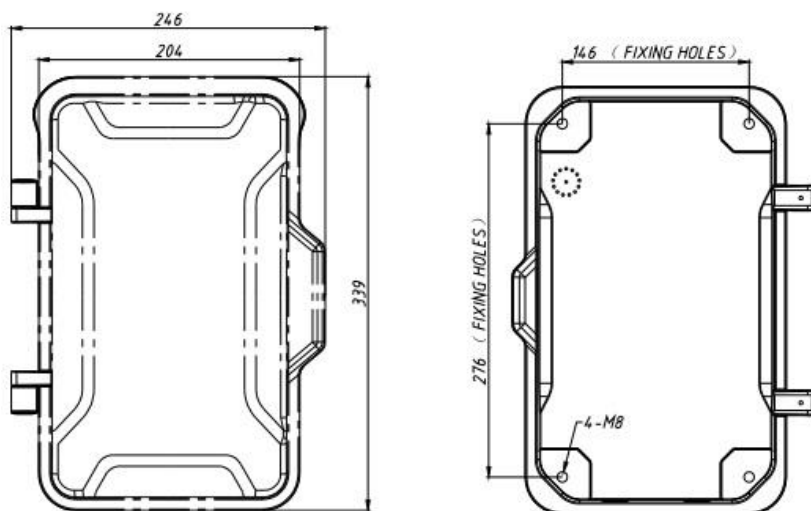
Carton size: 200*300*440 (mm)

Packaging materials: pearl cotton, carton

Gross weight: 8 KG

Net weight: 7 KG

DIMENSIONS:



(Measured in mm)

APPROVALS



This mark indicates compliance with the:
Radio & Telecommunications Terminal
Equipment Directive
2004/108/EC



This mark indicates compliance with the:
FCC Part 15 Subpart B Class B



This mark indicates compliance with the:
II 2G Ex e ib [ib] mb IIC T4 Gb